

OMSCHRIJVING:

RF Controlled 0-10V Dimmer DLS 001

TECHNISCHE SPECIFICATIES:

Input Voltage	90-265VAC (50/60HZ)
Output voltage	0-10VDC max 50mA Dim signal with memory function
Max Output current L1	5A (1100W/220V)
Working Temp.	-20 - + 45C°
RF freq.	2.4GHz
Remote control distance	>30m
IP	40
Dimensions LxBxh	90x45x28mm
Standby power	< 1,5W

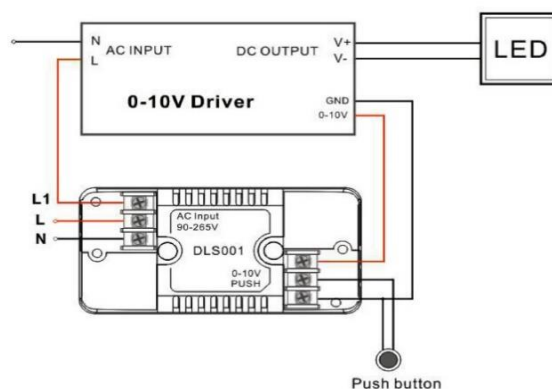
Compatible with Remote controllers I & II and Wall Switch

Add on: 01-10V controllers for dimming single Color LED Strips Finder 15.11.8.230.0400 slave dimmer for dimming all Triac dimmable devices

Can be controlled by 2.4 GHz remote control or by pushbutton (short push= ON/OFF; long push = dimming)

Advies verkoopprijs (excl. BTW) **€ 39,50**

09/2020



- | | |
|----------------------|-----------------------------|
| Remote controller I | Artikel nr: 0386-000 |
| Remote controller II | Artikel nr: 0387-000 |
| Wall Switch | Artikel nr: 0384-000 |
| 0-10V controllers | Artikel nr: 0367-000 |
| | Artikel nr: 0369-000 |

Durable – Delightfull – LED