

**Description**



**DMX512 High Volt. LED-Strip Controller**

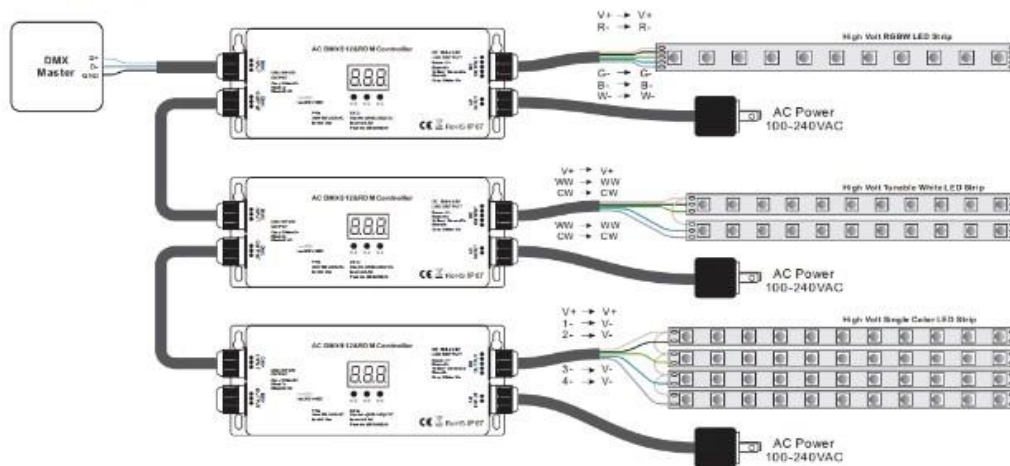
**Technical Specifications**

Input Voltage	100-240VAC
Output Voltage	100-240VAC
Output Current	4x 1,5A max
Output Power	4x(150W-360W)
dimensions: lxbxh (mm)	180,5x73,6x38mm
IP rating	IP67
Standard DMX512 Compliant control interface support also RDM	
Total 4 channels LED output	
DMX address manually settable	
Warranty	3 years
Ambient Temp.	-20° to 55°C
Output PWM frequency from	200Hz ... 3KHz



10/2023

**Wiring diagram**



*Durable – Delightfull – LED*