

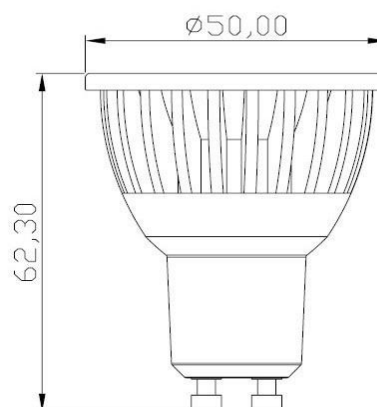
Description

LED GU10 - 7W - 30° Dim To Warm

7W	GU10	DTW	CE
IP20	30°	DIM	RoHS

Technical Specifications

LED Power (W)	7
Fitting	GU10
Lumen output (Lm)	670
Lumen/Watt	95
CCT (K°)	3000K°... 2200K° (DTW)
Beam Angle (°)	30°
Power factor	0.7
CRI	>80
IP	20
Inpute(Vac)	230V
Energy Classe	A+
LED chip	COB
LED brand	Forepi Taiwan
Number of LEDs	1
Housing	Alum.
Driver incl.	Yes
Driver intern/extern	intern
Warranty (years)	5
Dimmable (flicker free)	fase cutoff/TRIAC
Dimensions (mm)	50x62.3
Life time (Hr)	40.000



Advice Consumer Price (excl. VAT)

08/2021

Durable – Delightfull – LED

