

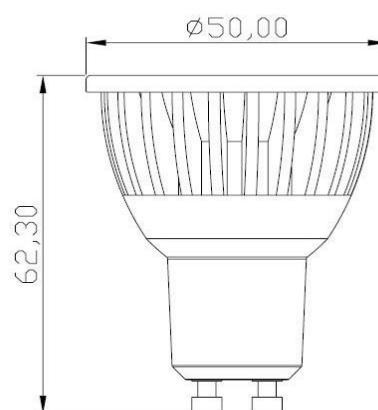
Description

LED GU10 - 7W - Dim - 60° 4000K

7W	GU10	4000K	CE
IP20	60°	DIM	RoHS

Technical Specifications

LED Power (W)	7
Fitting	GU10
Lumen output (Lm)	710
Lumen/Watt	101
CCT (K°)	4000
Beam angle (°)	60°
Power factor	0.8
CRI	>80
IP	20
Inpute (Vac)	230V
Energy classe	A+
LED chip	COB
LED Brand	Forepi Taiwan
Number of LEDs	1
housing	alum.
Driver incl.	yes
Driver intern/extern	intern
Warranty (years)	5
Dimmable (flicker free)	fase cutoff/TRIAC
dimensions (mm)	50x62.3
Life time(Hr)	40.000



Advice Consumer Price (excl. VAT)

12/2020

Durable – Delightfull – LED