

Description

LED GU10 - 7W - Dim - 60° 3000K

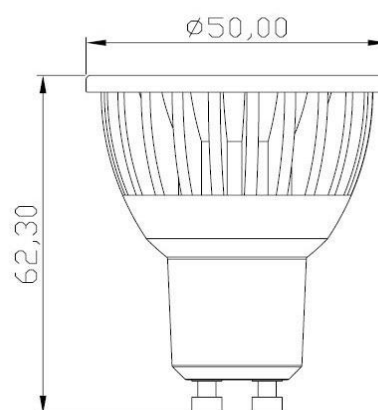
Technical Specifications

LED power (W)	7
Fitting	GU10
Lumen output (Lm)	690
Lumen/Watt	98
CCT(K°)	3000
Beam Angle (°)	60°
Power factor	0.8
CRI	>80
IP	20
Inpute (Vac)	230V
Energy classe	A+
LED chip	COB
LED Brand	Forepi Taiwan
Number of LEDs	1
Housing	alum.
Driver incl.	Yes
Driver intern/extern	intern
Warranty (Years)	5
Dimmable (flicker free)	fase cutoff/TRIAC
Dimensions	50x62.3
Life time (Hr)	40.000

Advie Consumer Price (excl. VAT)

12/2020

7W	GU10	3000K	CE
IP20	60°	DIM	RoHS



Also available in 30°

3000-007-3000 30

Durable – Delightfull – LED