

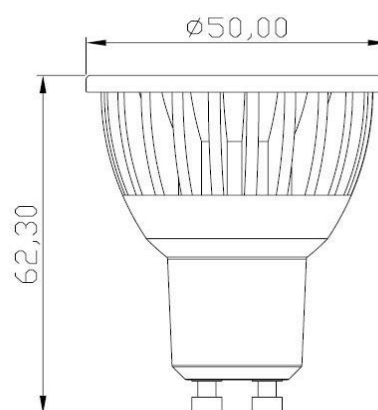
Description

LED GU10 - 7W - Dim - 60° 2700K

7W	GU10	2700K	CE
IP20	60°	DIM	RoHS

Technical Specifications

LED power (W)	7
Fitting	GU10
Lumen output (Lm)	670
Lumen/Watt	96
CCT(K°)	2700
Beam angle (°)	60°
Power factor	0.8
CRI	>80
IP	20
Input(Vac)	230V
Energy classe	A+
LED chip	COB
LED Brand	Forepi Taiwan
Number of LEDs	1
Housing	alum.
Driver incl.	Yes
Driver intern/extern	intern
Warranty(Years)	5
Dimmable	fase cutoff/TRIAC
Dimensions (mm)	50x62.3
Life time(Hr)	40.000



Advice consumer Price (excl.VAT)

12/2020

Also available in 30° & 15°

Durable – Delightfull – LED