

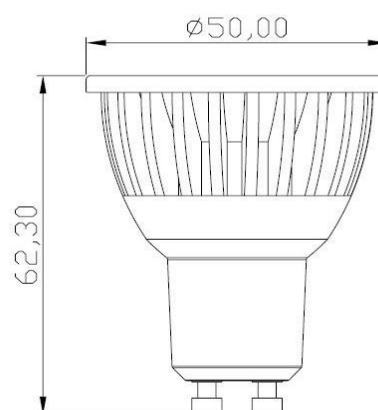
Description

LED GU10 - 7W - Dim -15° 2700K

7W	GU10	2700K	CE
IP20	15°	DIM	RoHS

Technical Specifications

LED Power(W)	7
Fitting	GU10
Lumen output (Lm)	670
Lumen/Watt	96
CCT (K°)	2700
Beam angle (°)	15°
Power factor	0.8
CRI	>80
IP	20
Inpute (Vac)	230V
Energy Classe	A+
LED chip	COB
LED Brand	Forepi Taiwan
Number of LEDs	1
Housing	alum.
Driver incl.	Yes
Driver intern/extern	intern
Warranty (Years)	5
Dimmable (flicker free)	fase cutoff/TRIAC
Dimensions(mm)	50x62.3
Life time (U)	40.000



Advice Consumer Price (excl.VAT)

12/2020

Also available in 30°

Article number:

3000-007-2700 30

Durable – Delightfull – LED