

**Description**

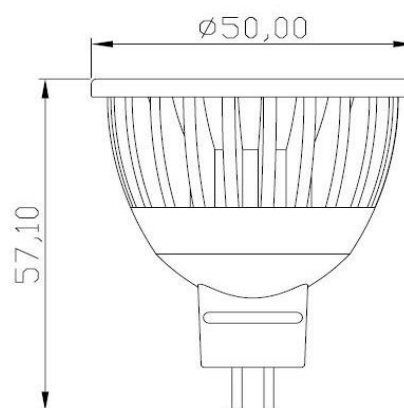
**LED MR16 - 7W - Dim- 2700K**

<b>7W</b>	<b>GU5.3</b>	<b>2700K</b>	<b>CE</b>
<b>IP20</b>	<b>60°</b>	<b>DIM</b>	<b>RoHS</b>

**Technical Specifications**

LED Power (W)	7
Fitting	GU5.3
Lumen output (Lm)	570
Lumen/Watt	83
CCT (K°)	2700K° or 4000K°
Beam Angle (°)	60
Power factor	0.6
CRI	>80
IP	20
Inpute(DC/AC)	12
Energy classe	A+
LED chip	COB
LED Brand	Forepi Taiwan
Number of LEDs	1
Cable	/
Driver incl.	Yes
Driver intern/extern	intern
Warranty (Years)	5
Dimmable	Yes
Dimensions(mm)	50x57.10
Life time (Hr)	40.000

12/2020



*Durable – Delightfull – LED*

