

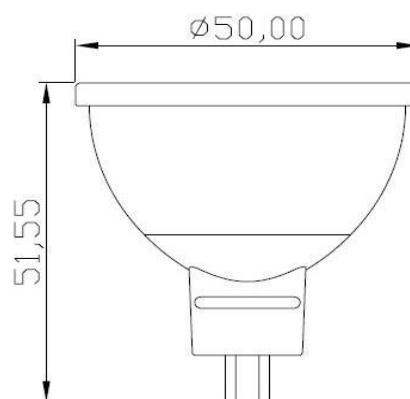
Description

LED MR16 - 6W - Dim - 4000K

6W	GU5.3	4000K	CE
IP20	60°	DIM	RoHS

Technical Specifications

LED Power (W)	6
Fitting	GU5.3
Lumen output (Lm)	500
Lumen/Watt	83
CCT(K°)	4000K° or 2700K°
Beam Angel(°)	60
Power factor	0.9
CRI	>80
IP	20
Inpute (DC/AC)	12
Energy Classe	A+
LED chip	COB
LED Brand	Forepi Taiwan
Number of LEDs	1
Cable	/
Driver incl.	Yes
Driver intern/extern	intern
Warranty (years)	5
Dimmable	Yes
Dimensions (mm)	50x51.55
Life Time(Hr)	40.000



12/2020

Durable – Delightfull – LED

