

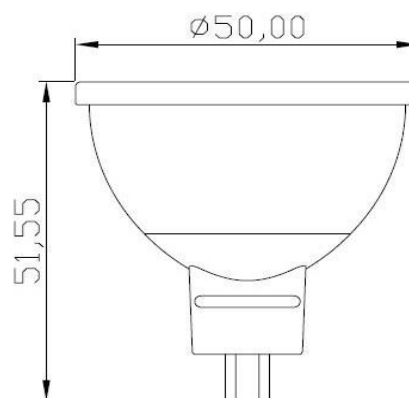
Description

LED MR16 - 6W - Dim. 2700K

6W	GU5.3	2700K	CE
IP20	60°	DIM	RoHS

Technical Specifications

LED Power(W)	6
Fitting	GU5.3
Lumen output (Lm)	480
Lumen/Watt	83
CCT (K°)	2700K° or 4000K°
Beam Angle (°)	60
Power factor	0.9
CRI	>80
IP	20
Inpute(DC/AC)	12V
Energy Classe	A+
LED chip	COB
LED Brand	Forepi Taiwan
Number of LEDs	1
Cable	/
Driver Incl.	Yes
Driver intern/extern	intern
Warranty	5
Dimmable	Yes
Dimmensions (mm)	50x51.55
Life time(Hr)	40.000



12/2020

Durable – Delightfull – LED